

W-Light Neptune II

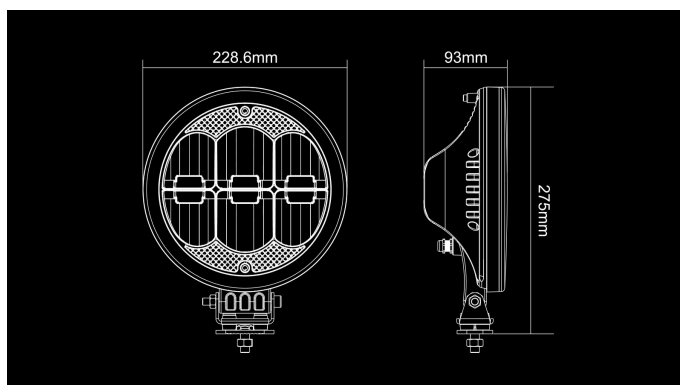
60W
Ref 25
5400lm
6000K
10-30V
Ø 9" / 93mm

Neptune II is a very durable and powerful solution for cost-efficient use without compromising quality.

Product



Dimensions



Pattern

