

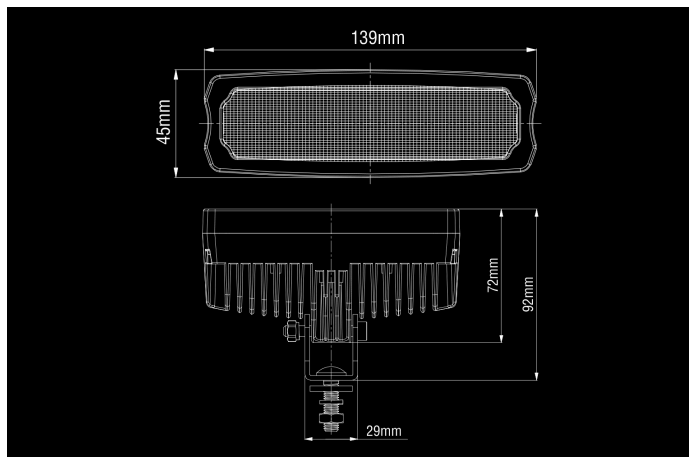
# SAE 15/25W

9-36V  
5x5 OSRAM  
500/800lm  
6000K  
139x45x70mm

## Produktas



## Dimensions



## Pattern

